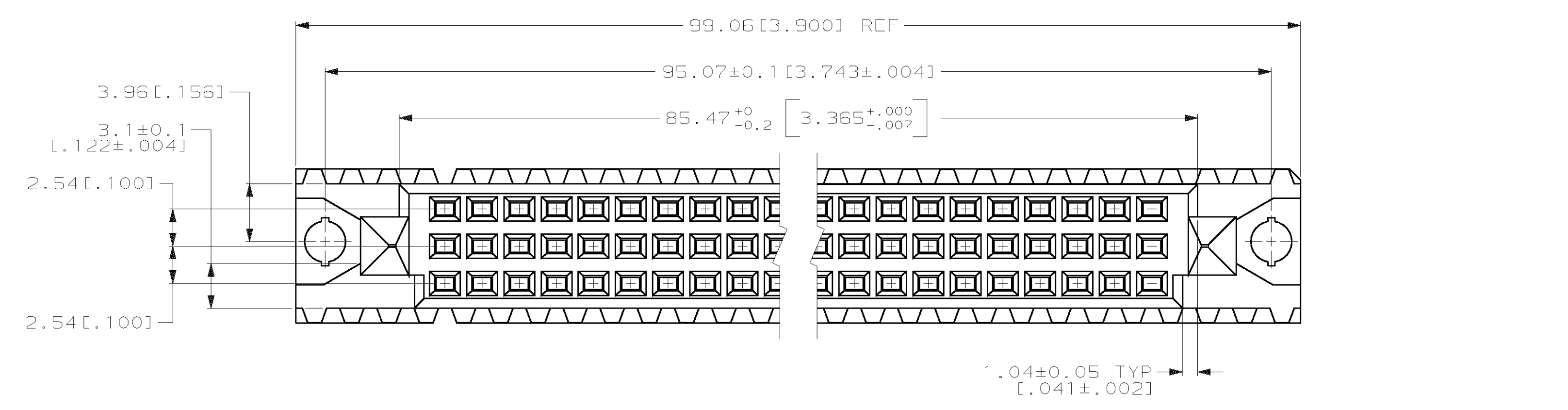
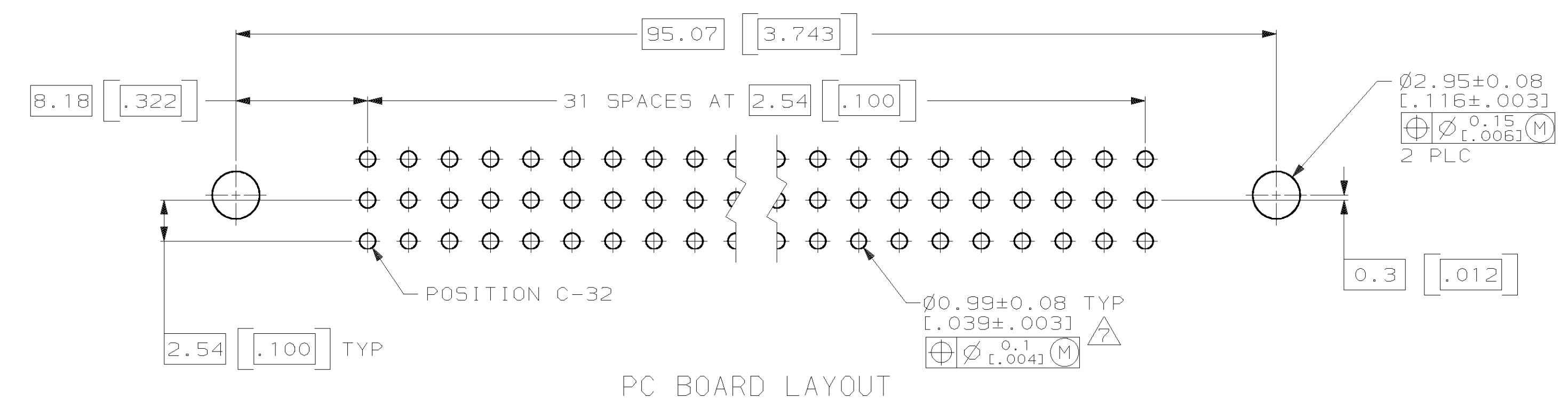
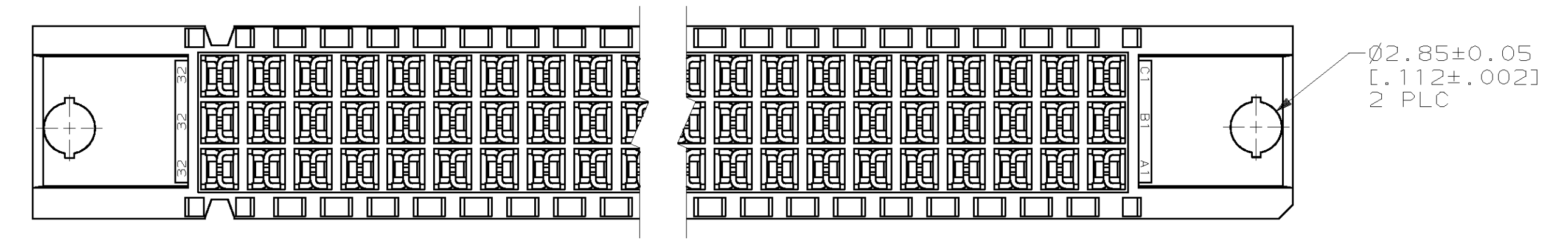
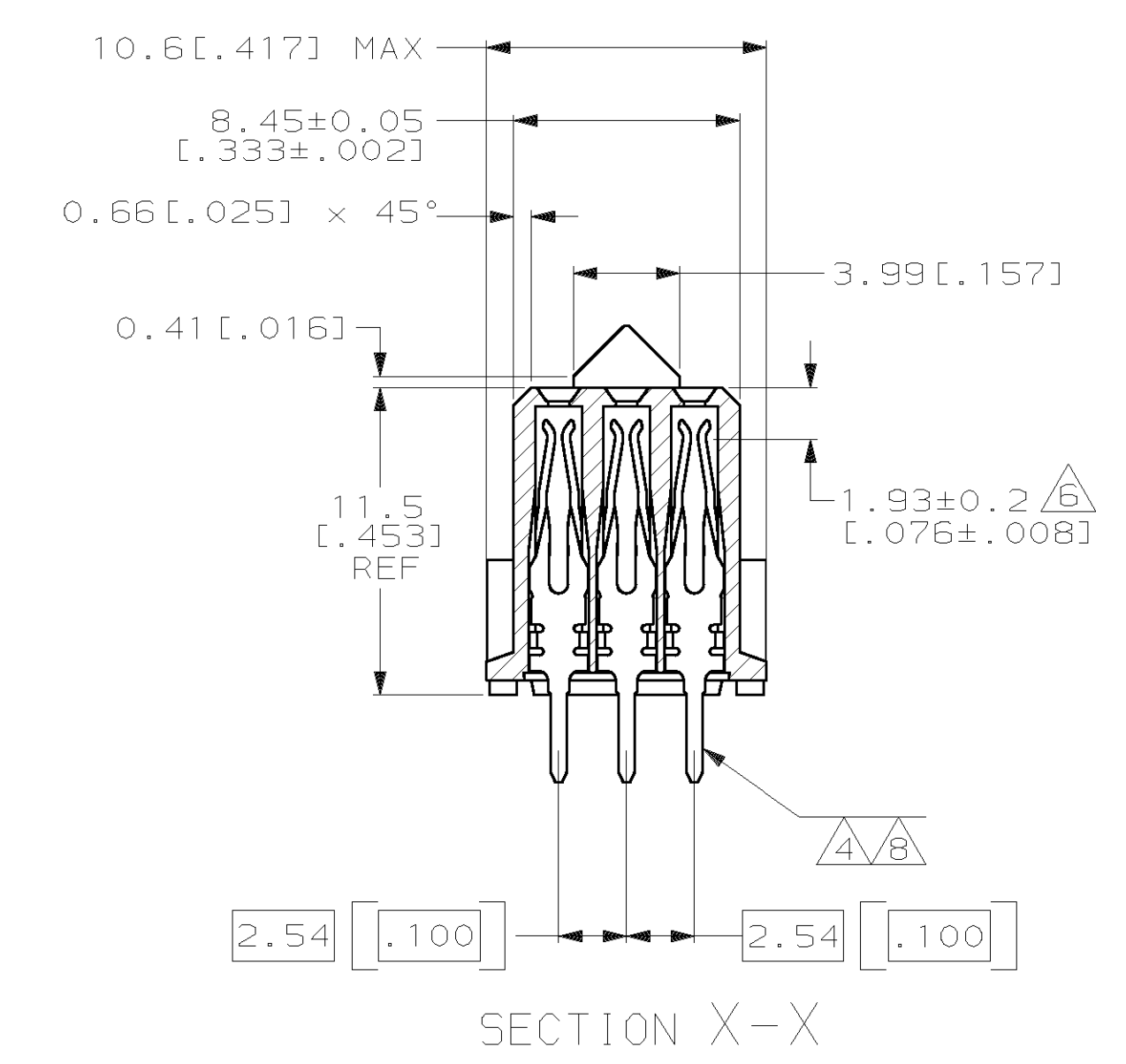
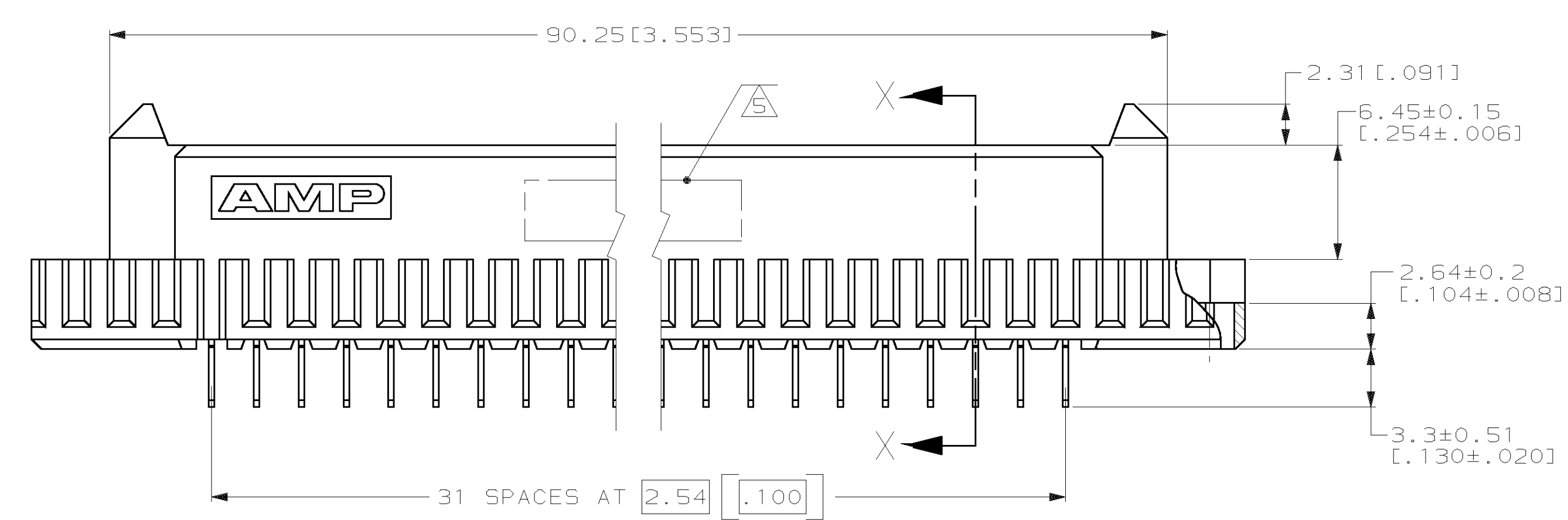


LOC		DIST		P		F		ZONE		LTR		REVISIONS			
AD	25											DESCRIPTION	DATE	APPD	
												D	EC 0010-1488-95	4/1/96	CR
												E	REV PER EC 001B-0367-00	09 JAN 01	CR



- DIMENSIONS IN BRACKETS ARE IN INCHES.
- HOUSING MATERIAL: GLASS-FILLED POLYESTER. COLOR: GRAY.
- CONTACT MATERIAL: PHOSPHOR BRONZE.
- CONTACT FINISH: 0.00076[.000030] GOLD IN CONTACT AREA. 0.00127[.000050] NICKEL UNDERPLATE ALL OVER. TIN-LEAD PLATE ON POSTS.
- PART NUMBER, DATE CODE IDENTIFICATION, CSA LOGO THIS APPROXIMATE AREA.
- POINT OF MEASUREMENT FOR GOLD.
- RECOMMENDED HOLE SIZE FOR MANUAL APPLICATION OF CONNECTOR ONTO PC BOARD.
- CONTACT FINISH: DIN 41612 CLASS 2 IN CONTACT AREA. TIN-LEAD PLATE ON POSTS.



650998-5	650998-4
PART NUMBER	

DO NOT SCALE PRINT. UNLESS SPECIFIED DIMENSIONS IN mm [INCHES] TOLERANCES ON:		DR L. BRINER 7/18/91		AMP INCORPORATED Harrisburg, Pa. 17105	
1 PLC DEC ± -		CHK D.C. RUBENDALL 9/10/91			
2 PLC DEC ± 0.13[.005]		APPD D.C. RUBENDALL 9/10/91		NAME	
ANGLES ± -		APPD K.R. PARMER 9/12/91		RECEPTACLE ASSEMBLY, EUROCARD, TYPE "C" WITH GUIDE FEATURES	
MATERIAL		PRODUCT SPEC		SIZE	
HSG		-		D 00779	
CONT		-		DRAWING NO	
FINISH		APPLICATION SPEC		650998	
CONT		-		SCALE	
-		-		4:1	
-		-		SHEET	
-		-		1 OF 1	